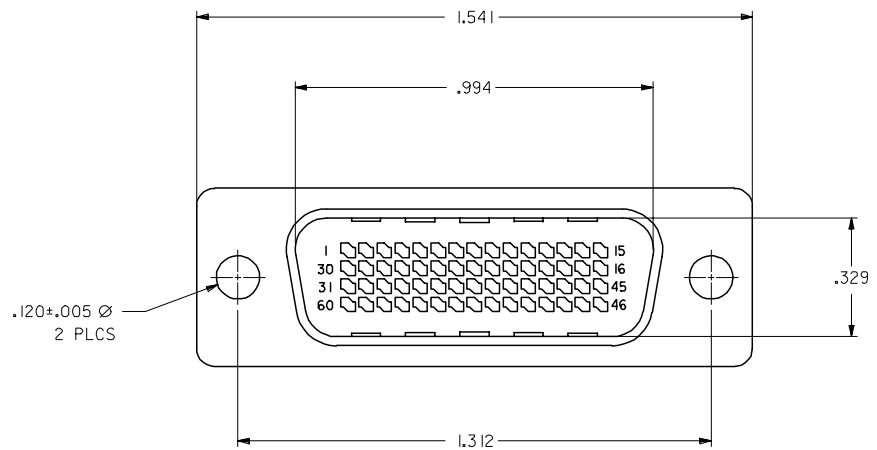


13 12 11 10 9 8 7 6 5 4 3 2 1

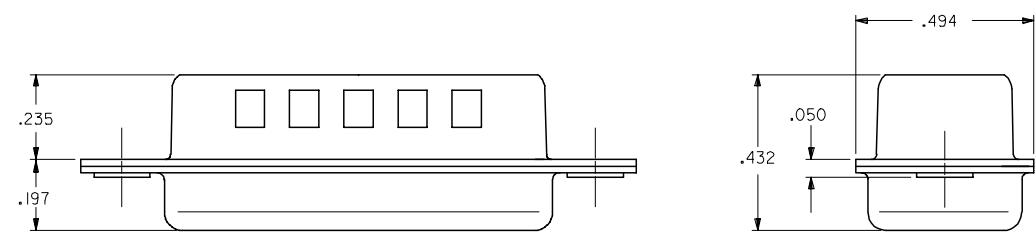
J  
I  
H  
G  
F  
E  
D  
C  
B  
A

J  
I  
H  
G  
F  
E  
D  
C  
B  
A

- NOTES:**
- 1) PLASTIC HOUSING:  
GLASS FILLED LCP (LIQUID CRYSTAL POLYMER), UL 94 V-0, COLOR: BLACK.
  - 2) FRONT SHELL:  
DEEP DRAWN STEEL, .020" THICK;  
PLATING: SEE TABLE  
BRIGHT TIN: 150-250 MICRONS BRIGHT TIN OVER  
50-150 MICRONS NICKEL OVER COPPER FLASH  
OVERALL (OPTIONAL).  
BRIGHT NICKEL: 100-175 MICRONS BRIGHT NICKEL OVER  
50 MICRONS MAXIMUM COPPER OVERALL.
  - 3) BACK SHELL:  
DEEP DRAWN STEEL, .016" THICK;  
PLATING: 150-250 MICRONS BRIGHT TIN OVER 50-150 MICRONS NICKEL  
OVER COPPER FLASH OVERALL (OPTIONAL).
  - 4) THIS CONNECTOR CONFORMS TO PRODUCT SPECIFICATION PS-70928.
  - 5) PACKAGING SPECIFICATION PK-70873-0236 APPLIES.
  - 6) SEE APPLICATION SPECIFICATION PS-70929 FOR ASSEMBLY AND TERMINATION DETAILS.
  - 7) INSERT-MOLDED TERMINAL STRIP ASSEMBLIES ARE SUPPLIED SEPARATELY (SEE SHEET 2 FOR ORDERING INFORMATION).



**NOTE FOR LEAD FREE CONVERSION:**  
THE PRIMARY SHIPPING CARTON WILL BE LABELED "COMPLIANT TO ROHS DIRECTIVE 2002/95/EC AND ELV ANNEX II OF DIRECTIVE 2000/53/EC". CARTONS WITHOUT THIS LABEL MAY CONTAIN PRODUCT WITH LEAD.

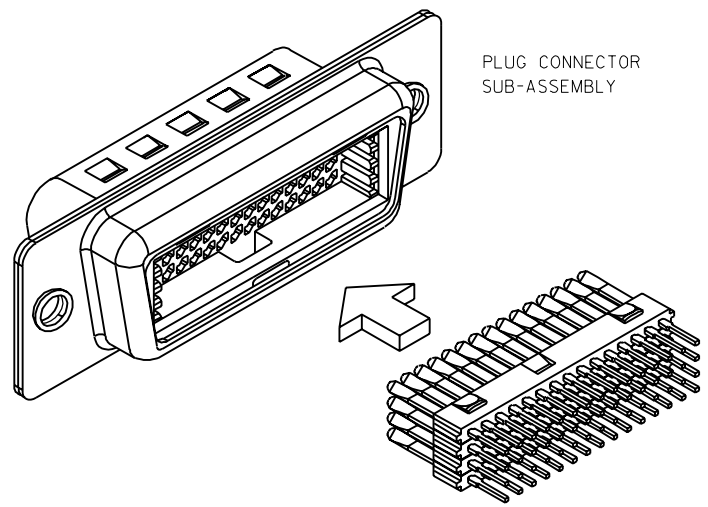


|     |     |
|-----|-----|
| 2   | E   |
| 1   | H   |
| SHT | REV |

|   |  |  |   |  |  |                      |                          |   |  |
|---|--|--|---|--|--|----------------------|--------------------------|---|--|
| ADD 70929-2009<br>EC NO: UCP2006-0666<br>DRAWN BY: BARRA 2006/02/06<br>CHKD: BORGAN 2006/02/07<br>APPR: MILLER 2006/02/09<br>REVISION SYMBOLS<br>▽=0<br>▽=0 | GENERAL TOLERANCES (UNLESS SPECIFIED)<br>mm INCH<br>4 PLACES ± --- ± ---<br>3 PLACES ± --- ± ---<br>2 PLACES ± --- ± ---<br>1 PLACE ± --- ± ---<br>ANGULAR ±1/2° |  | DIMENSION STYLE<br>INCH ONLY<br>DRAWN BY DATE<br>MOS 1993/05/11<br>CHECKED BY DATE<br>O'SULLIVAN 1993/05/11<br>APPROVED BY DATE<br>BICKLER 1993/05/11 |  | SCALE<br>4:1   | DESIGN UNITS<br>INCH | THIRD ANGLE PROJECTION   | TITLE<br>SALES ASSEMBLY<br>LFH 60CKT I/O PLUG<br>FOR CABLE ASSEMBLIES |  |
|   | DRAFT WHERE APPLICABLE<br>MUST REMAIN<br>WITHIN DIMENSIONS   |  | MATERIAL NO.<br>SEE TABLE   |  | DOCUMENT NO.<br>SDA-70929-20**                                   |                      | SHEET NO.<br>1 OF 2      |   |  |
|   | THIS DRAWING CONTAINS INFORMATION THAT IS PROPRIETARY TO MOLEX<br>INCORPORATED AND SHOULD NOT BE USED WITHOUT WRITTEN PERMISSION                                 |  |   |  |  |                      |                          |   |  |
|   | PART NO. PRODUCT DESCRIPTION FRONT SHELL PLATING   |  | 70929-2000 60 CKT. I/O PLUG CONNECTOR SUB-ASSEMBLY BRIGHT TIN   |  | 70929-2009 60 CKT. I/O PLUG CONNECTOR SUB-ASSEMBLY BRIGHT NICKEL |                      | MOLEX MOLEX INCORPORATED |   |  |

|            |   |                     |
|------------|---|---------------------|
| PART NO.   | PRODUCT DESCRIPTION                     | FRONT SHELL PLATING |
| 70929-2000 | 60 CKT. I/O PLUG CONNECTOR SUB-ASSEMBLY | BRIGHT TIN          |
| 70929-2009 | 60 CKT. I/O PLUG CONNECTOR SUB-ASSEMBLY | BRIGHT NICKEL       |

12 11 10 9 8 7 6 5 4 3 2 1



PLUG CONNECTOR  
SUB-ASSEMBLY

INSERT MOLDED TERMINAL STICKS  
SUPPLIED SEPARATELY  
SEE SALES DRAWING: SDA-70984-100\*  
NOTE: STICKS SHOWN WITH CARRIER REMOVED

70929

|   |             |
|---|-------------|
| E | SEE SHEET 1 |
|---|-------------|

|  |  |                     |  |  |  |                           |  |
|--|--|---------------------|--|--|--|---------------------------|--|
| DIMENSIONS SHOWN (METRIC) INCH                                       |  | ▽ = 0               |  | ▼ = 0  |  | REVISE ONLY ON CAD SYSTEM |  |
| UNLESS OTHERWISE SPECIFIED<br>TOLERANCES ANGULAR ± 1/2°              |  |                     |  |  |  |                           |  |
| 3 PLACE ±  |  | INCH                |  | METRIC   |  | ---                       |  |
| 2 PLACE ±  |  | ---                 |  | ±  |  | ---                       |  |
| 1 PLACE ---  |  | ±                   |  | ---  |  | ---                       |  |
| DRAFT WHERE APPLICABLE MUST<br>REMAIN WITHIN DIMENSIONS              |  |                     |  |  |  |                           |  |
| DRAWN BY: MOS  |  | CHK'D BY: OSULLIVAN |  | PART NO.:  |  | DRAWG. NO.:               |  |
| APP'D BY: BIXLER   |  | SCALE: 4: 1         |  | FILE NAME: S7092921  |  | SHEET NO.:                |  |
|  |  |                     |  | MOLEX INC.   |  | DATE: 05/11/93            |  |
| TITLE: SALES ASSEMBLY<br>LFH 60 CKT I/O PLUG<br>FOR CABLE ASSEMBLIES |  |                     |  | MOLEX INCORPORATED   |  | U.S.A.                    |  |
| SEE SHEET 1  |  |                     |  | SDA-70929-20**   |  | DIV.:                     |  |
|  |  |                     |  | THIS DRAWING CONTAINS INFORMATION THAT IS PROPRIETARY TO MOLEX INC. AND SHOULD NOT BE USED WITHOUT WRITTEN PERMISSION. |  | SIZE: CD C                |  |